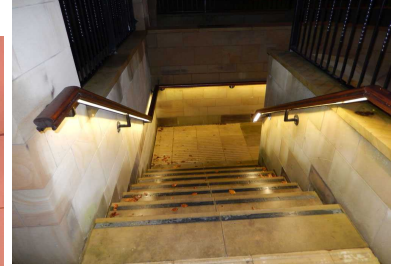




**LIGHTING**  
.co.uk

**2019**  
**CATALOGUE**

**01772 713166**





**LIGHTING**  
.co.uk

**2019**  
**CATALOGUE**

**01772 713166**

Click on a Link button to go to that page

AP001 – AP002 Profile

[Link](#)

Touch Wall Dimmers

[Link](#)

AP003 – AP004 Profile

[Link](#)

Triac Dimmers 1

[Link](#)

AP007 Profile

[Link](#)

Triac Dimmers 2

[Link](#)

3528/60 Single Colour

[Link](#)

LED Dimmers

[Link](#)

3528/120 Single Colour

[Link](#)

RGB Controllers

[Link](#)

5050/60 Single Colour

[Link](#)

Data Repeaters

[Link](#)

3528/60/WW+PW

[Link](#)

DMX Driver

[Link](#)

5050/30/RGB

[Link](#)

LED Drivers (PSU)

[Link](#)

5050/60/RGB

[Link](#)

There is a “back to top” button on every page that will bring you back to this page

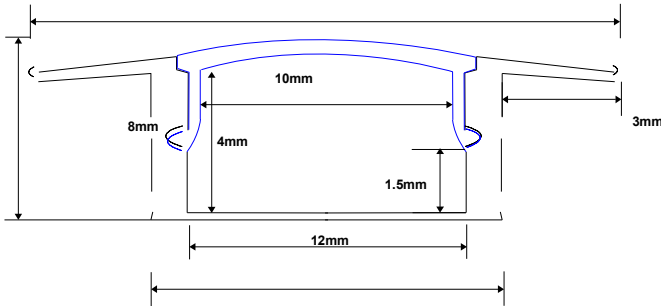
## SDL-AP001

With PC Opal or Opal Matte Diffuser

[Back to Top](#)



The SDL-AP001 aluminium LED profile is ideal for housing our FlexLED SMT range to create a professional look in cabinets or under shelf lighting . The SDL-AP001 is available with two different lens options, PMMA Clear diffuser or PC Opal diffuser. The SDL-AP001 profile is supplied in either 1m or 2m lengths which can be cut in house as required. We offer end caps with or without cable entry and fixing clips can be supplied too.



Part No.	Description
SDL-AP001-PCO	Profile with PC Opal Diffuser
SDL-AP001-O	Profile with PMMA Opal Matte Diffuser
SDL-AP001-EC	End Caps (pair)
SDL-AP001-FC	Fixing Clip

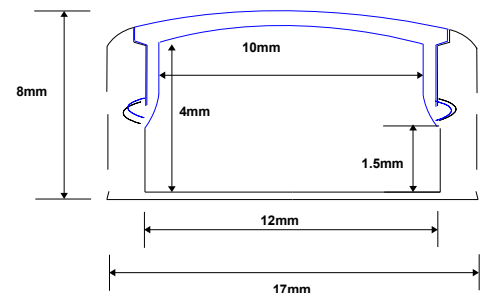
## SDL-AP002

With PC Opal or Opal Matte Diffuser

The SDL-AP002 aluminium LED profile is ideal for housing our FlexLED SMT range to create a professional look in cabinets or under shelf lighting . The SDL-AP002 is available with two different lens options, PMMA Clear diffuser or PC Opal diffuser. The SDL-AP002 profile is supplied in either 1m or 2m lengths which can be cut in house as required. We offer end caps with or without cable entry and fixing clips can be supplied too.



Part No.	Description
SDL-AP002-PCO	Profile with PC Opal Diffuser
SDL-AP002-O	Profile with PMMA Opal Matte Diffuser
SDL-AP002-EC	End Caps (pair)
SDL-AP002-FC	Fixing Clip

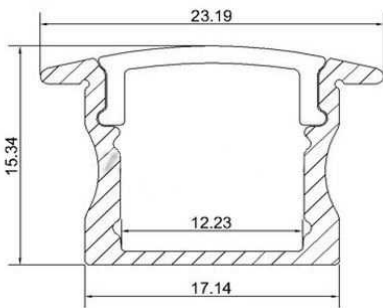




## SDL-AP003

With PC Opal or Opal Matte Diffuser

[Back to Top](#)



The SDL-AP003 aluminium LED profile is ideal for housing our FlexLED SMT range to create a professional look in cabinets or under shelf lighting . The SDL-AP003 is available with two different lens options, PMMA Clear diffuser or PC Opal diffuser. The SDL-AP003 profile is supplied in either 1m or 2m lengths which can be cut in house as required. We offer end caps with or without cable entry and fixing clips can be supplied too.

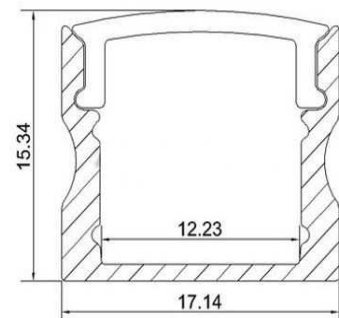
Part No.	Description
SDL-AP003-PCO	Profile with PC Opal Diffuser
SDL-AP003-O	Profile with PMMA Opal Matte Diffuser
SDL-AP003-EC	End Caps (pair)
SDL-AP003-FC	Fixing Clip

**DOT FREE  
FOR DOT FREE YOU MUST USE  
3528/120 LED STRIP**

## SDL-AP004

With PC Opal or Opal Matte Diffuser

The SDL-AP004 aluminium LED profile is ideal for housing our FlexLED SMT range to create a professional look. The SDL-AP004 is available with two different lens options, PC Opal diffuser or PMMA Opal Matte diffuser. The SDL-AP004 profile is supplied in either 1m or 2m lengths which can be cut in house as required. We offer end caps with or without cable entry.



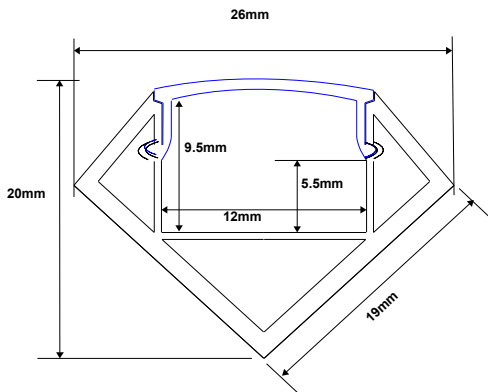
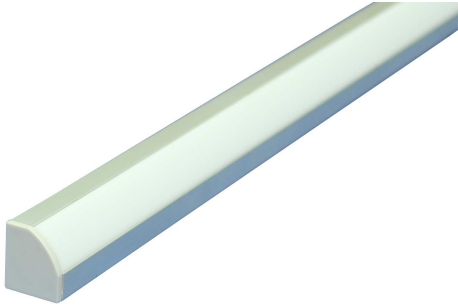
Part No.	Description
SDL-AP004-PCO	Profile with PC Opal Diffuser
SDL-AP004-O	Profile with PMMA Opal Matte Diffuser
SDL-AP004-EC	End Caps (pair)
SDL-AP004-FC	Fixing Clip

**DOT FREE  
FOR DOT FREE YOU MUST USE  
3528/120 LED STRIP**



### SDL-AP007 With Clear or Opal Matte Diffuser

[Back to Top](#)



The SDL-AP007 aluminium LED profile is ideal for housing our FlexLED SMT range to create a professional look in cabinets or under shelf lighting . The SDL-AP007 is available with two different lens options, PC Opal or PMMA Opal Matte diffuser. The SDL-AP007 profile is supplied in either 1m or 2m lengths which can be cut in house as required. We offer end caps with or without cable entry and fixing clips can be supplied too.

Part No.	Description
SDL-AP007-O	Profile with PMMA Opal Matte Diffuser
SDL-AP007-EC	End Caps (pair)
SDL-AP007-FC	Fixing Clip

## PMMA OPAL MATTE & PC OPAL

## DIFFUSER



PMMA OPAL MATTE



PC OPAL

### INTERIOR Standard Brightness

[Back to Top](#)

3528/60/ Standard brightness is a versatile flexible 12Vdc LED strip. The surface mount LED's are on a 8mm wide flexible white PCB with 3M adhesive tape on the rear to allow quick and easy installation. This product can be used with our range of dimmers, DMX drivers and power supply units.



12Vdc, 4.8 Watts per metre, 8mm (W) x 2.5mm (H), LED size: 3528

Part No.	Description	Lumen Output/M
3528/60/PW	Pure White	450
3528/60/NW	Natural White	430
3528/60/WW	Warm White	420
3528/60/G	Green	290
3528/60/R	Red	130
3528/60/B	Blue	115

60 LEDs per metre and supplied up to 5000mm with 50mm cut points



### IP67 WATERPROOF Standard Brightness



3528/60/IP/ Standard brightness weatherproof is a versatile flexible 12Vdc LED strip. The surface mount LED's are on a 8mm wide flexible white PCB within a 10mm wide clear silicone sleeve. Backed with 3M adhesive tape on the rear to allow quick and easy installation. This product can be used with our range of dimmers, DMX drivers and power supply units.

12Vdc, 4.8 Watts per metre, 10mm (W) x 4.5mm (H) LED size: 3528

Part No.	Description	Lumen Output/M
3528/60/IP/PW	Pure White	450
3528/60/IP/WW	Warm White	420
3528/60/IP/G	Green	290
3528/60/IP/R	Red	130
3528/60/IP/B	Blue	115

60 LEDs per metre and supplied up to 5000mm with 50mm cut points



### INTERIOR Median Brightness

[Back to Top](#)

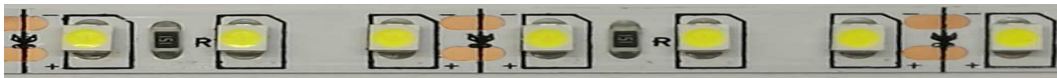
3528/120/ Median brightness is a versatile flexible 12Vdc LED strip. The surface mount LED's are on a 8mm wide flexible white PCB with 3M adhesive tape on the rear to allow quick and easy installation. This product can be used with our range of dimmers, DMX drivers and power supply units.



12Vdc, 9.6 Watts per metre, 8mm (W) x 2.5mm (H), LED size: 3528

Part No.	Description	Lumen Output/M
3528/120/PW	Pure White	900
3528/120/NW	Natural White	860
3528/120/WW	Warm White	840
3528/120/G	Green	580
3528/120/R	Red	260
3528/120/B	Blue	230

120 LEDs per metre and supplied up to 5000mm with 25mm cut points



### IP67 WATERPROOF Median Brightness



3528/120/IP Median brightness weatherproof is a versatile flexible 12Vdc LED strip. The surface mount LED's are on a 8mm wide flexible white PCB within a 10mm wide clear silicone sleeve. Backed with 3M adhesive tape on the rear to allow quick and easy installation. This product can be used with our range of dimmers, DMX drivers and power supply units.

12Vdc, 9.6 Watts per metre, 10mm (W) x 4.5mm (H) LED size: 3528

Part No.	Description	Lumen Output/M
3528/120/IP/PW	Pure White	900
3528/120/IP/WW	Warm White	840
3528/120/IP/G	Green	580
3528/120/IP/R	Red	260
3528/120/IP/B	Blue	230

120 LEDs per metre and supplied up to 5000mm with 25mm cut points





### INTERIOR

[Back to Top](#)

#### High Brightness

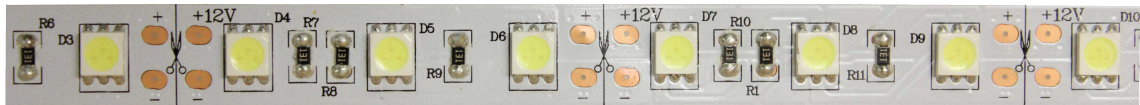
5050/60/ High brightness is a versatile flexible 12Vdc LED strip. The surface mount LED's are on a 10mm wide flexible white PCB with 3M adhesive tape on the rear to allow quick and easy installation. This product can be used with our range of dimmers, DMX drivers and power supply units.



12Vdc, 14.4 Watts per metre, 10mm (W) x 2.5mm (H), LED size: 5050

Part No.	Description	Lumen Output/M
5050/60/PW	Pure White	1110
5050/60/NW	Natural White	1100
5050/60/WW	Warm White	1080

60 LEDs per metre and supplied up to 5000mm with 50mm cut points



### IP67 WATERPROOF

#### High Brightness

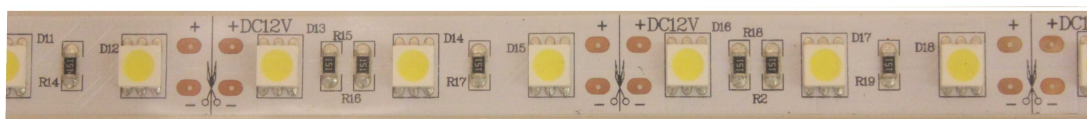


5050/60/IP High brightness weatherproof is a versatile flexible 12Vdc LED strip. The surface mount LED's are on a 10mm wide flexible white PCB within a 12mm wide clear silicone sleeve. Backed with 3M adhesive tape on the rear to allow quick and easy installation. This product can be used with our range of dimmers, DMX drivers and power supply units.

12Vdc, 14.4 Watts per metre, 12mm (W) x 4.5mm (H) LED size: 5050

Part No.	Description	Lumen Output/M
5050/60/IP/PW	Pure White	1110
5050/60/IP/WW	Warm White	1080

60 LEDs per metre and supplied up to 5000mm with 50mm cut points



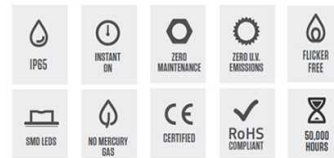
3528/60/WW+PW  
CCT2-60

[Back to Top](#)

**PAGE NOT FINISHED**

Here at SDL, Our 12V CCT led strip allows you to have the option of choosing between multiple colour temperatures from 2500k right through to 6500k. This particular strip allows you to cover shades of white when used in conjunction with our CCT Controllers and power supply units allowing you to be more versatile to suit certain environments The strip is backed with high grade 3M adhesive tape to allow for quick installation.

Model:	3528/60/WW+PW	
Input Voltage:	DC12V	
Power/m:	4.8W	
Angle Degree:	120	
LED/m:	60	
Lumen/m:	PW: 200-230lm	WW: 190 – 210lm
	PW+WW: 390 – 430lm	
CFT/K:	2800 - 6500K	
PCB Width:	8mm	
Cutting Interval:	50mm (every 3 LEDs)	



### SDL/RFCCT2 CCT2 Controller



Supply Voltage:	DC12-24V
Power Consumption:	<1w
Output Current:	<6A (Each Circuit)
Output Power;	5V: <60w - 12v: <144w - 24v: <288w
RF Frequency:	433Mhz
Output:	3 CMOS Open drain output
Dimensions (LxWxH):	83 x 79 x 33mm

TEMP PIC

### INTERIOR

For RGB Controllers & Repeaters please see pages 16 & 17

[Back to Top](#)

#### Standard Brightness

5050/30/RGB Standard brightness RGB is a versatile colour change flexible 12Vdc LED strip. The surface mount LED's are on a 10mm wide flexible white PCB with 3M adhesive tape on the rear to allow quick and easy installation. This product can be used with our range of RGB controllers, DMX drivers and power supply units.



<b>Part No.</b>	5050/30/RGB
<b>Voltage</b>	12Vdc
<b>Power Consumption</b> <i>per metre</i>	7.2W
<b>LED Qty</b> <i>per metre</i>	30
<b>LED Size</b>	5050
<b>Dimensions (WxH)</b>	10mm X 2.5mm
<b>Cutting Interval</b>	100mm
<b>Lumen Output</b> <i>per metre</i>	



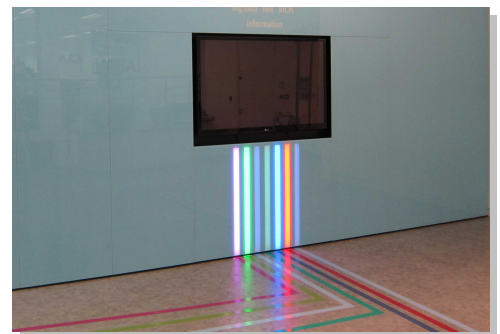
### IP67 WATERPROOF

#### Standard Brightness



5050/30/IP/RGB Standard brightness weatherproof RGB is a versatile colour change flexible 12Vdc LED strip. The surface mount LED's are on a 10mm wide flexible white PCB within a 12mm wide clear silicone sleeve. Backed with 3M adhesive tape on the rear to allow quick and easy installation. This product can be used with our range of RGB controllers, DMX drivers and power supply units.

<b>Part No.</b>	5050/30/IP/RGB
<b>Voltage</b>	12Vdc
<b>Power Consumption</b> <i>per metre</i>	7.2W
<b>LED Qty</b> <i>per metre</i>	30
<b>LED Size</b>	5050
<b>Dimensions (WxH)</b>	10mm X 2.5mm
<b>Cutting Interval</b>	100mm
<b>Lumen Output</b> <i>per metre</i>	





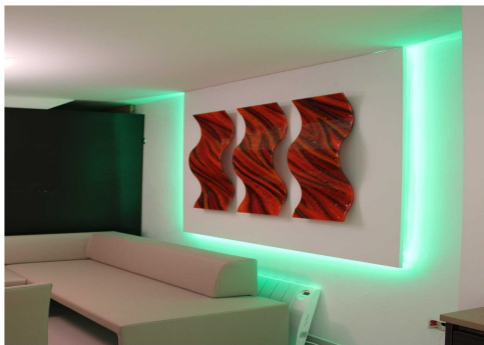
### INTERIOR

#### High Brightness

For RGB Controllers & Repeaters please see pages 17 & 18

[Back to Top](#)

5050/60/RGB High brightness RGB is a versatile colour change flexible 12Vdc LED strip. The surface mount LED's are on a 10mm wide flexible white PCB with 3M adhesive tape on the rear to allow quick and easy installation. This product can be used with our range of RGB controllers, DMX drivers and power supply units.



<b>Part No.</b>	5050/60/RGB
<b>Voltage</b>	12Vdc
<b>Power Consumption <i>per metre</i></b>	14.4W
<b>LED Qty <i>per metre</i></b>	60
<b>LED Size</b>	5050
<b>Dimensions (WxH)</b>	10mm X 2.5mm
<b>Cutting Interval</b>	50mm
<b>Lumen Output <i>per metre</i></b>	



### IP67 WATERPROOF

#### High Brightness



5050/60/IP/RGB High brightness weatherproof RGB is a versatile colour change flexible 12Vdc LED strip. The surface mount LED's are on a 10mm wide flexible white PCB within a 12mm wide clear silicone sleeve. Backed with 3M adhesive tape on the rear to allow quick and easy installation. This product can be used with our range of RGB controllers, DMX drivers and power supply units.

<b>Part No.</b>	5050/60/IP/RGB
<b>Voltage</b>	12Vdc
<b>Power Consumption <i>per metre</i></b>	14.4W
<b>LED Qty <i>per metre</i></b>	60
<b>LED Size</b>	5050
<b>Dimensions (WxH)</b>	10mm X 2.5mm
<b>Cutting Interval</b>	50mm
<b>Lumen Output <i>per metre</i></b>	



### SDL iTOUCH Dimmer

Part No: SDL/I/DIM/2

[Back to Top](#)

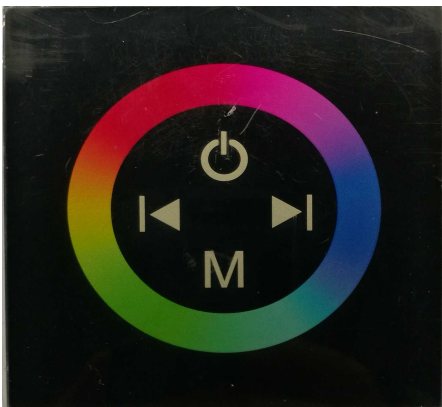


The SDL iTOUCH Dimmer is a glass panel design, touch control, wall mounted LED dimmer. The SDL iTOUCH Dimmer allow stepless brightness control with on/off function. LED dimmer drivers can be installed to meet the light needs of commercial or home lighting to reduce energy costs and to expand LED life.

Input	Output	Dimensions (mm)
12/24Vdc	1 Channel 8 Amp 96 Watts per channel @ 12Vdc 192 Watts per channel @ 24Vdc	(LxWxD) 87 x 87 x 37

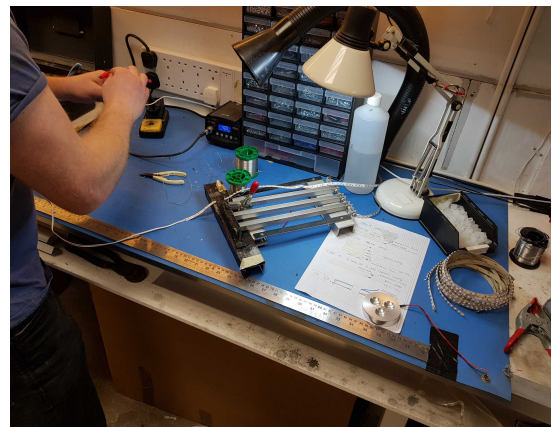
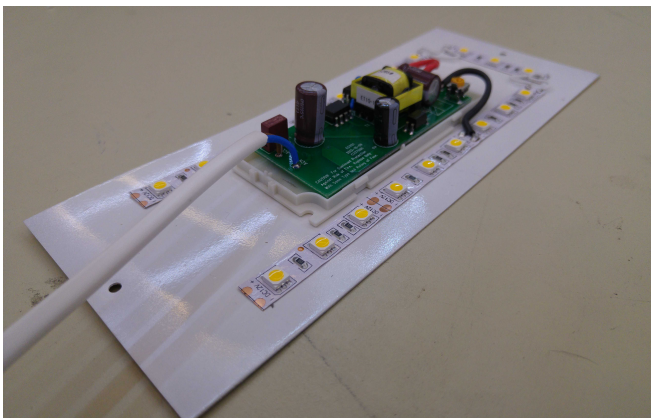
### SDL iTOUCH RGB Controller

Part No: SDL/I/RGB



The SDL iTOUCH RGB is a glass panel design, touch control, wall mounted RGB controller. The options of adjustable brightness/speed control & 11 modes to select, the SDL iTOUCH RGB can be used to drive our range of RGB strip in conjunction with a suitable 12Vdc power supply .

Input	Output	Dimensions (mm)
12/24Vdc	3 Channel 4 Amps per channel 144 Watts Total @ 12Vdc 288 Watts Total @ 24Vdc	(LxWxH) 87 x 87 x 37



### SDL/12W/1S12V/1

[Back to Top](#)



The SDL/12W/1S12V/1 is a 12W Triac Constant Voltage Dimmable driver. It Supports both leading edge (triac) and trailing edge (elv) dimmers. This unit has a 12Vdc Constant Voltage Output with a maximum current of 0.12A. With a dimming range of 40V-240Vac the 12W/1S12V/1 has a smooth dimming curve.

<b>Part No.</b>	SDL/12W1S12V/1
<b>Dimming Voltage Range</b>	40-240V AC
<b>Input Current</b>	0.13Amp
<b>Output Voltage</b>	12Vdc
<b>Output Current</b>	0.83Amp
<b>Output Power</b>	12W
<b>Size (LxWxH)</b>	73mm x 36mm x 29mm

### SDL/40W/1W12V/0



Dimmable driver. It Supports both leading edge (triac) and trailing edge (elv) dimmers. This unit has a 12Vdc Constant Voltage Output with a maximum current of 3.3A. With a dimming range of 40V-240Vac the 40W/1W12V/0 has a smooth dimming curve.

<b>Part No.</b>	SDL/40W/1W12V/0
<b>Dimming Voltage Range</b>	40-240V AC
<b>Input Current</b>	0.5Amp
<b>Output Voltage</b>	12Vdc
<b>Output Current</b>	3.3Amp
<b>Output Power</b>	40W
<b>Size (LxWxH)</b>	137mm x 81.5mm x 31mm

### SDL/75W/1H12V/0



EUP75T-1H12V-0 is a constant voltage mode output LED driver. The driver supports leading edge (Triac) and trailing edge (ELV) dimmer, and can be compatible with the systems of various brands (Philips, Panasonic, Lutron, Simon, ABB, Siemens etc.) to achieve a smooth dimming effect.

<b>Part No.</b>	SDL/75W/1H12V/0
<b>Dimming Voltage Range</b>	40-240V AC
<b>Input Current</b>	0.9Amp
<b>Output Voltage</b>	12Vdc
<b>Output Current</b>	6.2Amp
<b>Output Power</b>	74.4W
<b>Size (LxWxH)</b>	203.4mm x 53.9mm x 32.6mm



### SDL/150W/1H12V/0

[Back to Top](#)



The SDL/150W/1H12V/0 is a 150W Triac Constant Voltage Dimmable driver. It Supports both leading edge (triac) and trailing edge (elv) dimmers. This unit has a 12Vdc Constant Voltage Output with a maximum current of 12.5A. With a dimming range of 40V-240Vac the 150W/1H12V/0 has a smooth dimming curve.

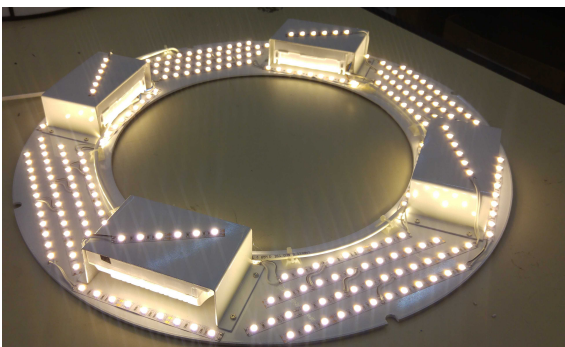
<b>Part No.</b>	SDL/150W/1H12V/0
<b>Dimming Voltage Range</b>	40-240V AC
<b>Input Current</b>	2Amp
<b>Output Voltage</b>	12Vdc
<b>Output Current</b>	12.5Amp
<b>Output Power</b>	150W
<b>Size (LxWxH)</b>	260mm x 78.3mm x 45mm

### SDL/105H/12 TRIAC-1



The InStyle TRIAC dimming module is a single channel receiver that will control both 12v and 24v. Your TRIAC dimmer is wired in between the transformer and the LED tape, and a signal cable is then taken from the receiver to the TRIAC head unit. Our TRIAC dimmer draws an input voltage of 100-240v AC. Output voltage 12v or 24v. This item is RoHS compliant and conforms to all UK safety standards

<b>Part No.</b>	SDL/105/12 TRIAC-1
<b>Supply Voltage</b>	12/24Vdc
<b>Dimming Voltage</b>	40-220V AC
<b>Output Current</b>	15 Amp
<b>Output Power</b>	180W/12Vdc, 360W/24Vdc
<b>Work Temp</b>	-20 – 50 c
<b>Size (LxWxH)</b>	167mm x 52mm x 24mm



## SDL/S1L10

[Back to Top](#)



The SDL-S1L10 driver is a flexible driver that can support active or passive 0-10V or 1-10V inputs. The driver can be used to power 12 or 24Vdc LEDs. Short circuit and over current protection are included. LED dimmer drivers can be installed to meet the light needs of commercial or home lighting to reduce energy costs and to extend LED life span.

<b>Part No.</b>	SDL/S1L10
<b>Supply Voltage</b>	12/24Vdc
<b>Output</b>	1 Channel
<b>Output Current (per channel)</b>	10 Amp
<b>Size (LxWxH)</b>	167mm x 51mm x 24mm
<b>Dimming Signal Type</b>	0-10V Active / 1-10V Active 1-10V Passive
<b>Drive Capability</b>	3528/60 24 Max*
<i>With suitable power supply</i>	5050/60 8m Max*

\* Additional lengths can be driven using the SDL-RP306

## SDL/DALI/1



The SDL-DALI-1 allows stepless brightness control using a DALI digital signal along with a suitable 12/24Vdc driver. LED dimmer switches can be installed to meet the light needs of commercial or home lighting and to extend LED life span also reducing energy costs.

<b>Part No.</b>	SDL/DALI/1
<b>Supply Voltage</b>	12/24Vdc
<b>Output</b>	1 Channel
<b>Output Current (per channel)</b>	5 Amp
<b>Output Wattage</b>	60W/12Vdc, 120W/24Vdc
<b>Dimming Control DALI Definition</b>	IEC62386 / IEC60929
<b>Size (LxWxH)</b>	167mm x 40mm x 30mm
<b>Drive Capability</b>	3528/60 12 Max*
<i>With suitable power supply</i>	5050/60 4 Max*

\* Additional lengths can be driven using the SDL-RP316

## SDL-DALI-3

The SDL-DALI-3 allows stepless brightness control using a DALI digital signal along with a suitable 12/24Vdc driver. LED dimmer switches can be installed to meet the light needs of commercial or home lighting and to extend LED life span also reducing energy costs.



<b>Part No.</b>	SDL/DALI/3
<b>Supply Voltage</b>	12/24Vdc
<b>Output</b>	3 Channel
<b>Output Current (per channel)</b>	6 Amp
<b>Output Wattage (per channel)</b>	72W/12Vdc, 144W/24Vdc
<b>Dimming Control DALI Definition</b>	IEC62386 / IEC60929
<b>Size (LxWxH)</b>	153mm x 67mm x 30mm
<b>Drive Capability (per channel)</b>	3528/60 15 Max*
<i>With suitable power supply</i>	5050/60 5 Max*

\* Additional lengths can be driven using the SDL-RP316

### RGB CONTROLLER

[Back to Top](#)

#### With RF Remote

The SDL/RF800 controller has features such as large current, low power consumption; remote control adopts high precision touch control chip, has colour ring and buttons function, increases the touch sensitivity. You can use remote control to switch the modes of RGB strips, and also you can change the brightness and speed. It has advantages such as far control distance, high touch sensitivity, strong driving ability, stable performance. This Controller can run 40m of standard (5050/30) RGB strip or 20m of High Brightness (5050/60) RGB strip with no need for repeaters.



#### Controller

Supply voltage: DC12-24V

Working current:  $\leq 8A/CH$

Connection method: Common anode

External dimension: L83\*W79\*H33 mm

Packing size: L185 X W135 X H50 mm

Static power consumption:  $< 1W$

Output power: DC12V:  $< 288W$ , DC24V:  $< 576W$

Output frequency: 900Hz

Net weight: 189g

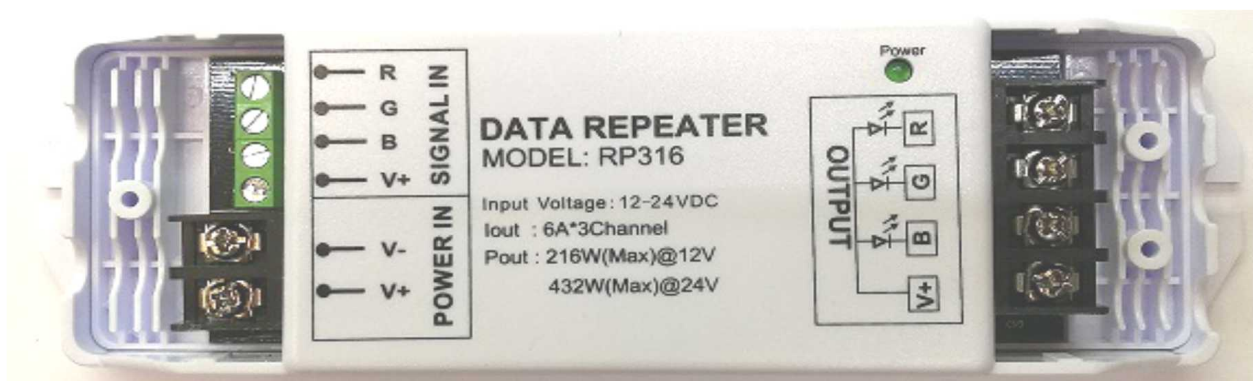
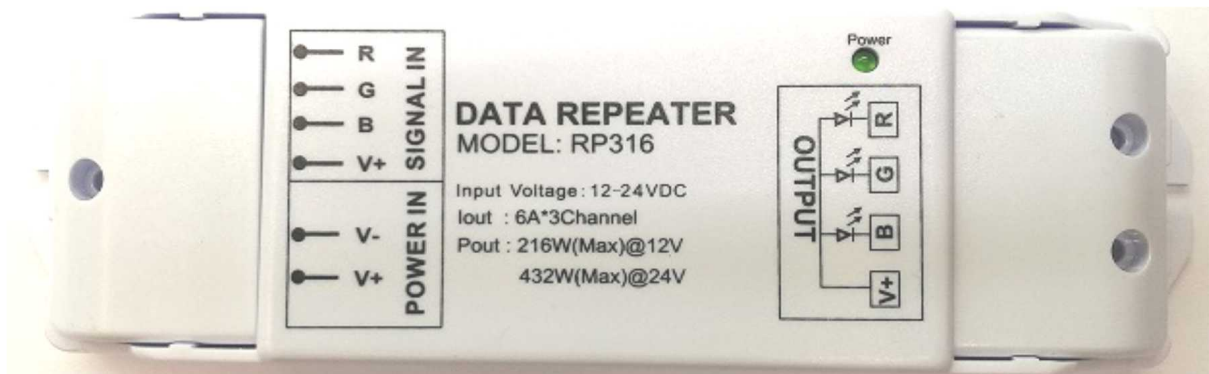
Gross weight: 347g





The SDL RP306 data repeater is a purpose designed LED driver to boost RGB controller, LED dimmer and DMX capabilities. The SDL RP316 is a constant voltage LED driver and is capable of driving either 12 or 24Vdc LEDs in conjunction with a suitable SDL power supply.

<b>Part No.</b>	SDL/RP316
<b>Supply Voltage</b>	12/24Vdc
<b>Output</b>	3 Channel
<b>Output Current (per channel)</b>	6 Amp
<b>Output Wattage</b>	216W/12Vdc, 432W/24Vdc
<b>Size (LxWxH)</b>	165mm x 42mm x 21mm
<b>Drive Capability</b>	5050/30/RGB 30m Max
<i>With suitable power supply</i>	5050/60/RGB 15m Max



### SDL PX24500

DMX 512

[Back to Top](#)



The SDL PX24500 is design to be connected to either lighting control systems or DMX lighting desks via the DMX 512 output. The SDL PX24500 is a constant voltage DMX 512 LED driver and is capable of driving either 12 or 24Vdc LED products in conjunction with a DMX signal and a suitable power supply. The SDL PX24500 is fully addressable using the DIP switched located on the side.

Input	Output	Dimensions (mm)
12/24Vdc	3 Channel 5 Amps per channel 60 Watts per channel @ 12Vdc 120 Watts per channel @ 24Vdc	<b>(LxWxH)</b> 68 x 41 x 33



### INDOOR

12Vdc

Please be aware that the dimensions and appearance may change to the ones shown

[Back to Top](#)

#### SDL36



**Input** AC 100~240  
**Output** DC 12V  
 3 Amp  
 36 Watts

**Dimensions (mm)** Please Call

#### SDL120



**Input** AC 100~240  
**Output** DC 12V  
 10 Amp  
 120 Watts

**Dimensions (mm)** 170x36x71

#### SDL72



**Input** AC 100~240  
**Output** DC 12V  
 6 Amp  
 72 Watts

**Dimensions (mm)** 126x31x54

### INDOOR

12Vdc

Please be aware that the dimensions and appearance may change to the ones shown

#### SDL150



**Input** AC 100~240  
**Output** DC 12V  
 12.5 Amp  
 150 Watts

**Frequency** 50/60Hz  
**Dimensions (mm)** 200x37x59

#### SDL200



**Input** AC 100~240  
**Output** DC 12V  
 16.7 Amp  
 200 Watts

**Frequency** 50/60Hz  
**Dimensions (mm)** 223x39x71

#### SDL350



**Input** AC 100~240  
**Output** DC 12V  
 29 Amp  
 350 Watts

**Frequency** 50/60Hz  
**Dimensions (mm)** 215x114x49



*Our high specification lighting has been supplied to the following company's*



*St Anne's Pier*



PalaceHoteloftheWorld.com/Mamonia

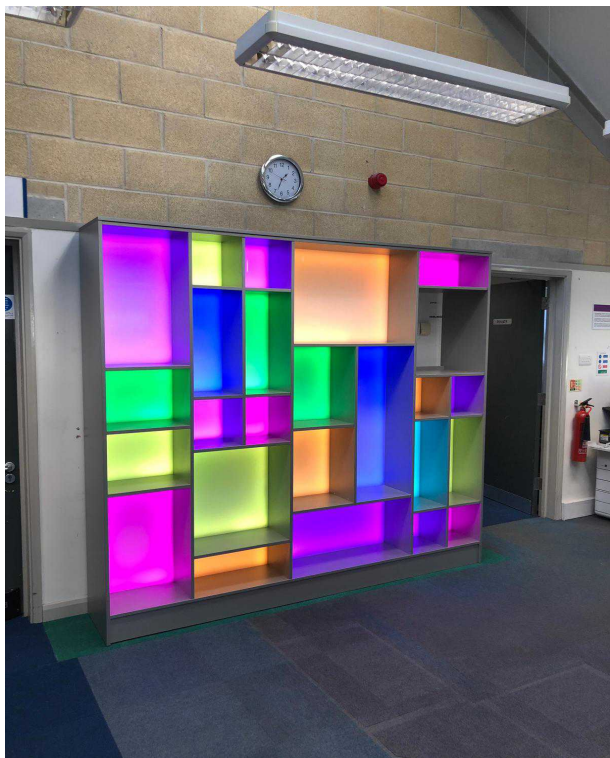


THE BRIDGEWATER HALL



01772 713166





# **WARRANTY**

**SDL Lighting offers a 12 month return to factory warranty to cover product(s) that have become defective due to component failure or faulty workmanship.**

**The returned product(s) will be repaired or replaced, unless the product(s) have been overloaded, incorrectly installed, or used in a manner for which it was not designed.**