

The SDL iTOUCH RGB is a glass panel, touch control, wall mounted RGB controller. The options of adjustable brightness/speed control 11 modes to select along with 64 colour select circle, the SDL iTOUCH RGB can be used to drive our range of RGB LED strip in conjunction with a suitable 12Vdc power supply .

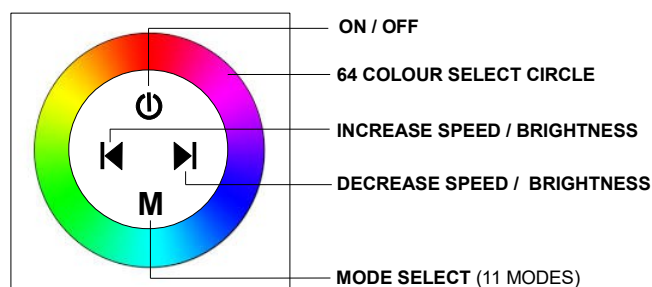


SPECIFICATION

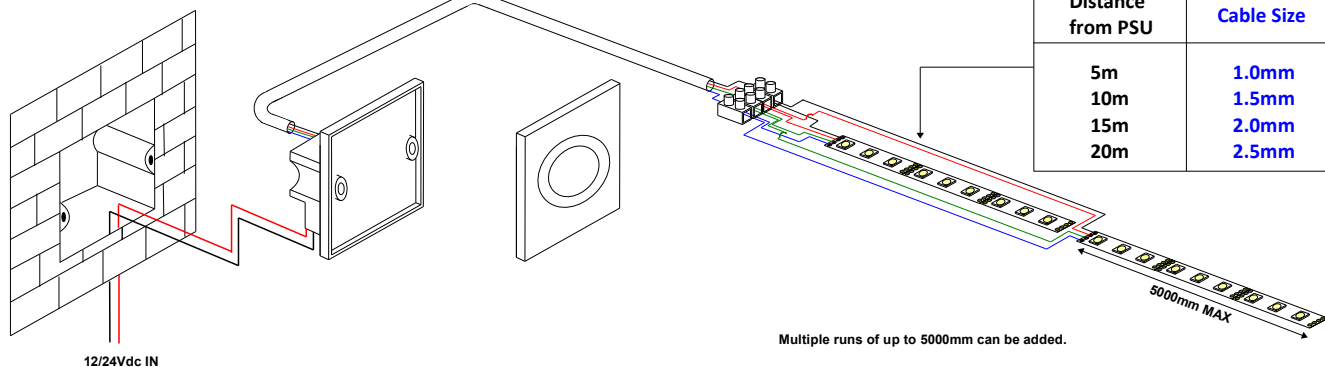
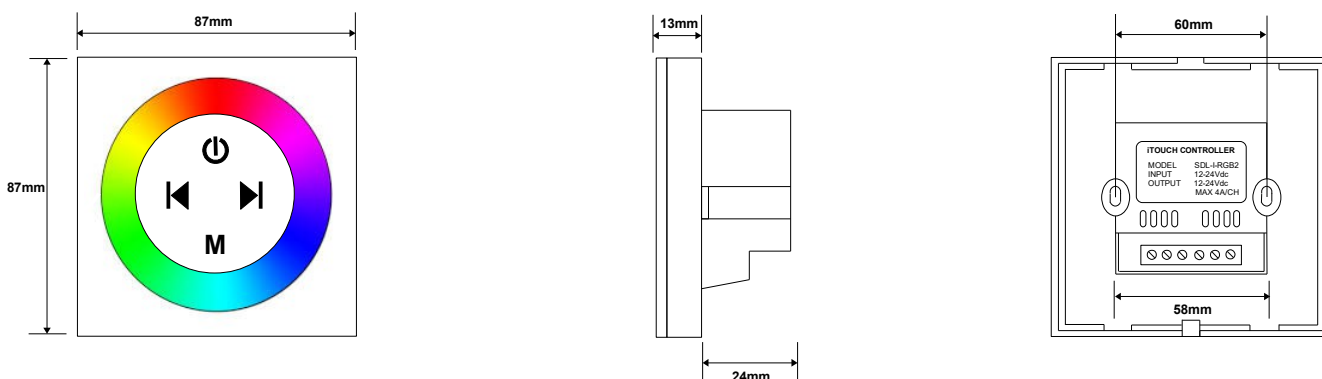
Part No.	SDL/I/RGB
Supply Voltage	12/24Vdc
Output	3 Channel
Output Current (per channel)	4 Amp
Output Wattage	144W/12Vdc, 288W/24Vdc
Size (LxWxH)	87mm x 87mm x 37mm
Drive Capability	5050/30/RGB 19.5 Max*
<i>With suitable power supply</i>	5050/60/RGB 9.5 Max*

* Additional lengths can be driven using the SDL-RP316

FUNCTIONS



DIMENSIONS



DO NOT EXCEED CONTROLLER & PSU LIMIT
SDL-RP306 Data Repeater can be used to drive further lengths and keep the LEDs in sync. Please see the SDL-RP316 technical data sheet.