

# SDL TRIAC Dimmable Driver (SDL/TRIAC/1)

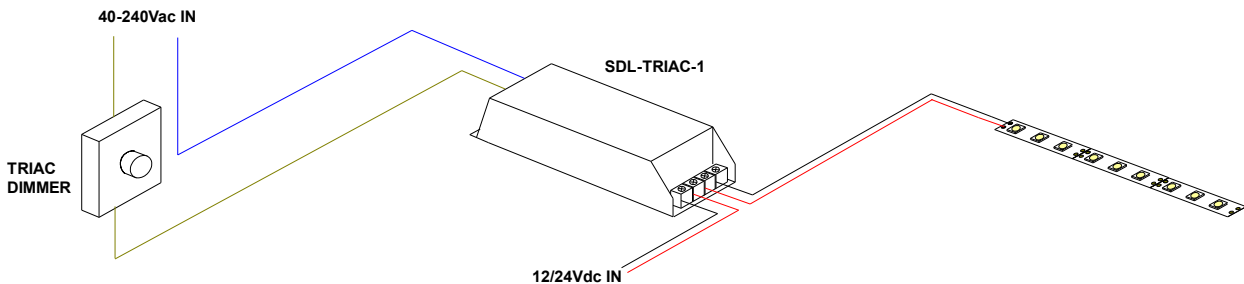
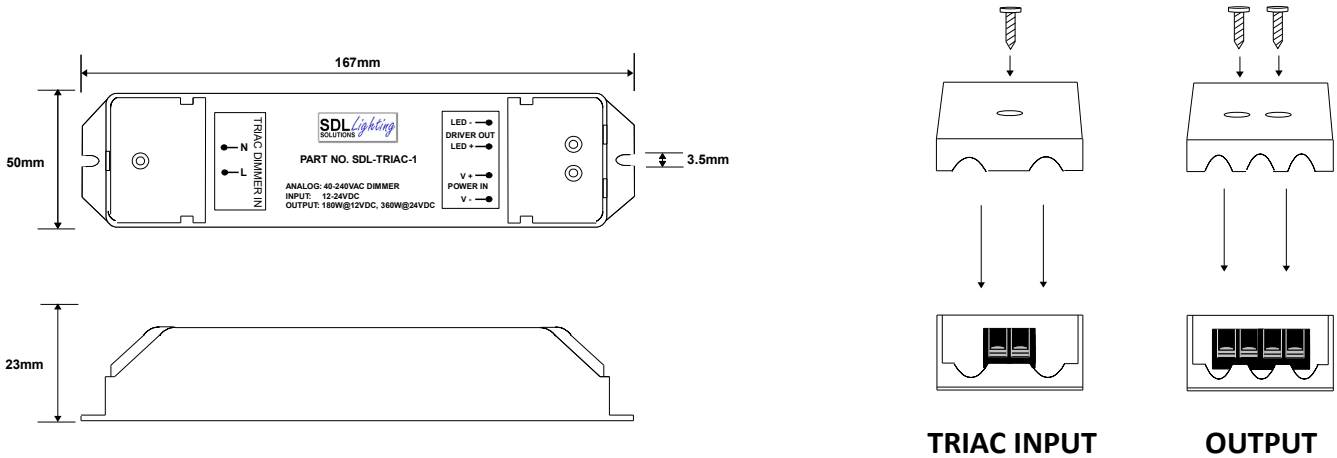
The SDL TRIAC dimmable driver is a single channel constant voltage LED driver. Using the SDL TRIAC dimmable driver in conjunction with a mains TRIAC dimmer allows stepless brightness control. LED dimmer drivers can be installed to meet the light needs of commercial or home lighting to reduce energy costs and to extend LED life span.



## SPECIFICATION

<b>Part No.</b>	SDL/TRIAC/1
<b>TRIAC Dimming Voltage in</b>	40-240Vac
<b>Input Voltage</b>	12/24Vdc
<b>Output</b>	1 Channel
<b>Output Current</b>	15 Amp
<b>Output Wattage</b>	180W/12Vdc, 360W/24Vdc
<b>Size (LxWxH)</b>	167mm x 50mm x 23mm
<b>Drive Capability</b>	3528/60 37 Max*
<i>With suitable power supply</i>	5050/60 12 Max*
	<small>* Additional lengths can be driven using the SDL-RP306</small>

## DIMENSIONS



**DO NOT EXCEED DRIVER LIMIT**

SDL-RP306 Data Repeater can be used to drive further lengths and keep the LEDs in sync. Please see the SDL-RP306 technical data sheet.

Multiple runs of up to 5000mm can be added.