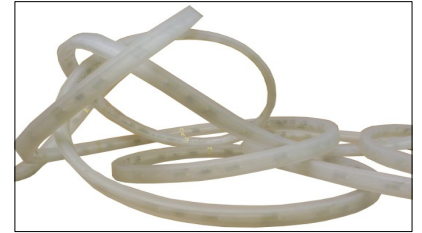


CoolStrip Flex is a robust weatherproof (IP67) LED strip. CoolStrip Flex can be used to illuminate steps and walkways in conjunction with aluminium stair nosing and aluminium walkover profile. CoolStrip Flex is mainly used as a type of marker/border illumination and can be used with our range of dimmers, DMX drivers and power supply units.



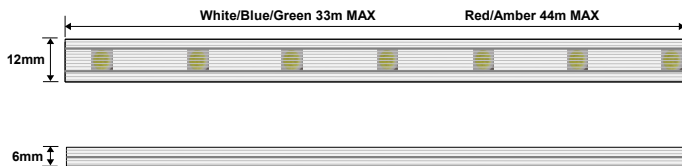
SPECIFICATION: Pure White, Warm White Blue & Green

Part No.	CSF-PW/WW/B/G
Voltage	12Vdc
Power Consumption	3.88W / 323mA per metre
LED Qty	36 per metre
LED Size	3020
Size (WxH)	12mm x 6mm
Cutting Interval	83.4mm
LEDs Per Section	3
Max Length	33m

SPECIFICATION: Red & Amber

Part No.	CSF-R/A
Voltage	12Vdc
Power Consumption	2.16W / 180mA per metre
LED Qty	36 per metre
LED Size	3020
Size (WxH)	12mm x 6mm
Cutting Interval	139mm
LEDs Per Section	5
Max Length	44mm

DIMENSIONS

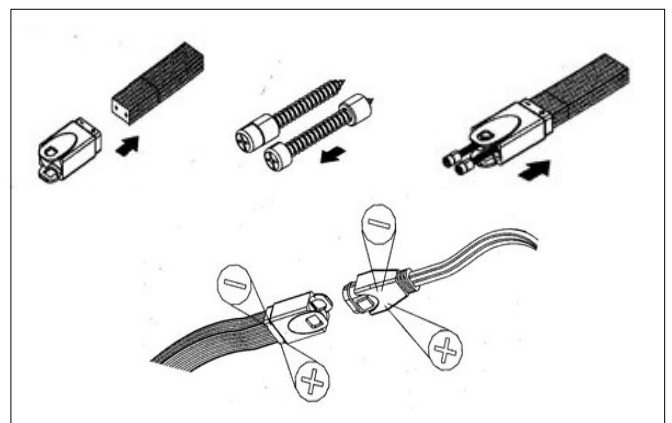


THE RIGHT POWER SUPPLY UNIT?

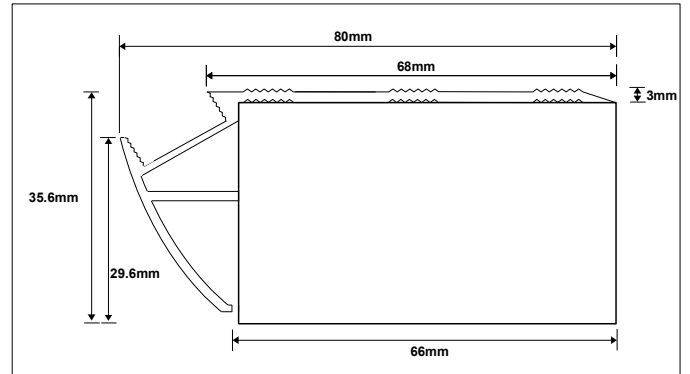
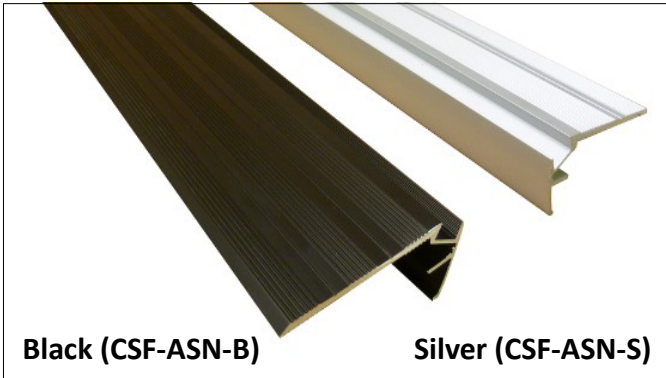
	White/Blue/Green	Red/Amber
SDL36	Up to 8m	Up to 15m
SDL72	Up to 17m	Up to 30m
SDL120	Up to 29m	Up to 51m
SDL150	Up to 37m	Up to 65m
SDL200	Up to 50m	Up to 86m
SDL350	Up to 88m	Up to 157m

LIGHT OUTPUT

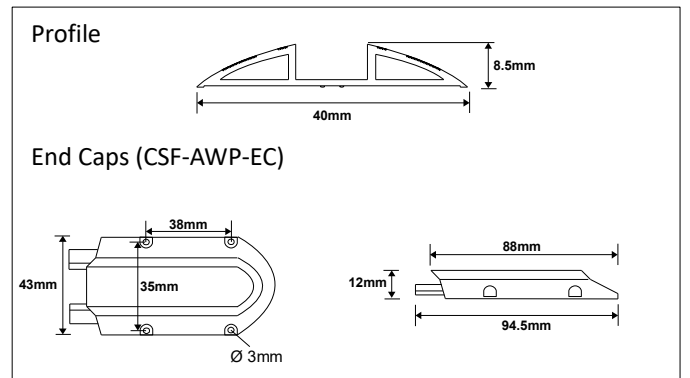
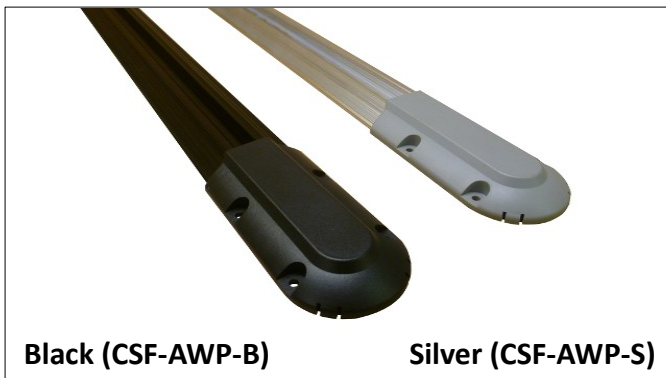
	Lumen	Lumen/Watt
Cool White	54.95	19.83
Warm White	68.79	25.20
Green	71.87	26.70
Blue	15.60	5.55
Red	5.85	3.75
Amber	18.64	9.85



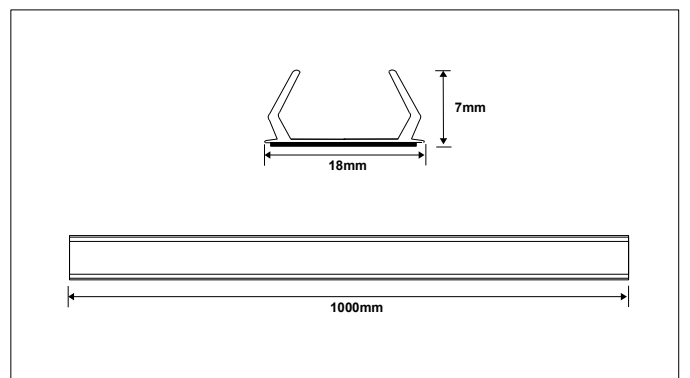
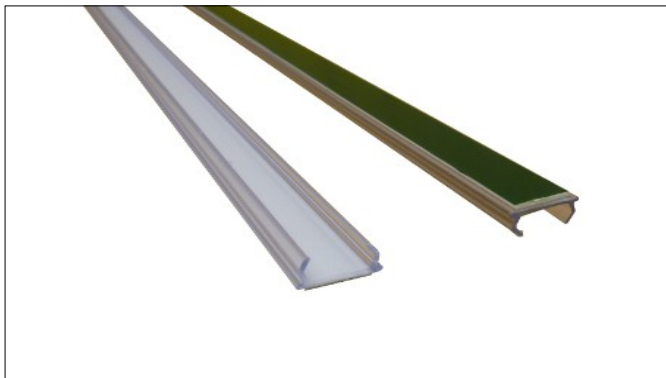
Aluminium Stair Nosing (CSF-ASN)



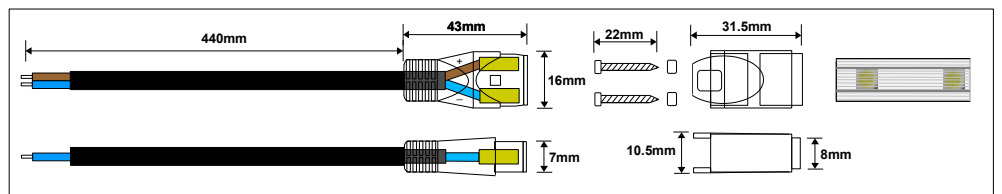
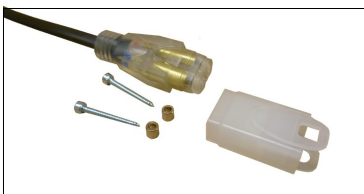
Aluminium Walkover Profile (CSF-AWP)



Self Adhesive Plastic Channel (CSF-PC)



End Termination Lead (CSF-ETL)



Male Connector (CSF-MC)



Female Connector (CSF-FC)



L Connector (CSF-LC)



End Cap (CSF-EC)

