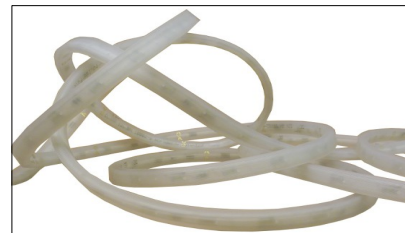


CoolStrip Flex is a robust weatherproof (IP67) LED strip. CoolStrip Flex can be used to illuminate steps and walkways in conjunction with aluminium stair nosing and aluminium walkover profile. CoolStrip Flex is mainly used as a type of marker/border illumination and can be used with our range of dimmers, DMX drivers and power supply units.



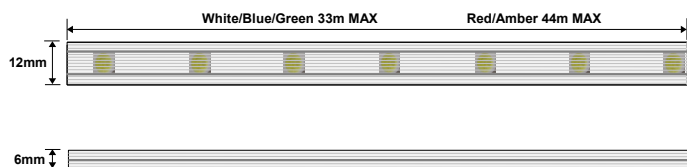
### SPECIFICATION: Pure White, Warm White Blue & Green

<b>Part No.</b>	CSF-PW/WW/B/G
<b>Voltage</b>	12Vdc
<b>Power Consumption</b>	3.88W / 323mA per metre
<b>LED Qty</b>	36 per metre
<b>LED Size</b>	3020
<b>Size (WxH)</b>	12mm x 6mm
<b>Cutting Interval</b>	83.4mm
<b>LEDs Per Section</b>	3
<b>Max Length</b>	33m

### SPECIFICATION: Red & Amber

<b>Part No.</b>	CSF-R/A
<b>Voltage</b>	12Vdc
<b>Power Consumption</b>	2.16W / 180mA per metre
<b>LED Qty</b>	36 per metre
<b>LED Size</b>	3020
<b>Size (WxH)</b>	12mm x 6mm
<b>Cutting Interval</b>	139mm
<b>LEDs Per Section</b>	5
<b>Max Length</b>	44mm

### DIMENSIONS

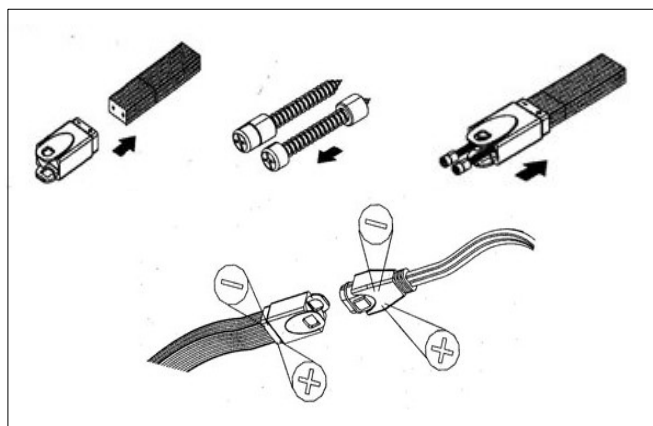


### THE RIGHT POWER SUPPLY UNIT?

	White/Blue/Green	Red/Amber
<b>SDL36</b>	Up to 8m	Up to 15m
<b>SDL72</b>	Up to 17m	Up to 30m
<b>SDL120</b>	Up to 29m	Up to 51m
<b>SDL150</b>	Up to 37m	Up to 65m
<b>SDL200</b>	Up to 50m	Up to 86m
<b>SDL350</b>	Up to 88m	Up to 157m

### LIGHT OUTPUT

	Lumen	Lumen/Watt
<b>Cool White</b>	54.95	19.83
<b>Warm White</b>	68.79	25.20
<b>Green</b>	71.87	26.70
<b>Blue</b>	15.60	5.55
<b>Red</b>	5.85	3.75
<b>Amber</b>	18.64	9.85

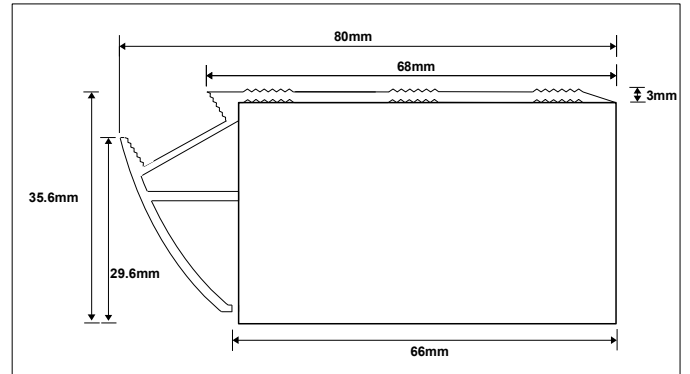
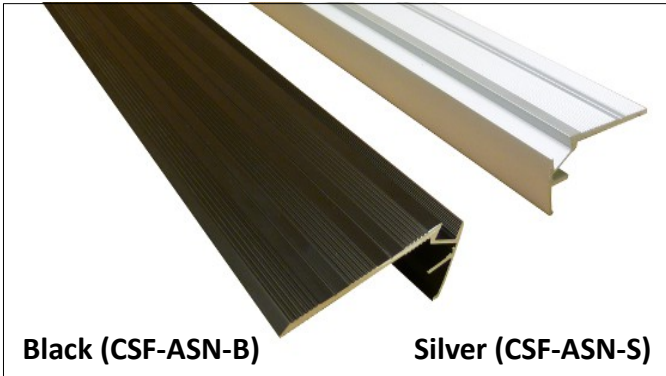


# sdl lighting

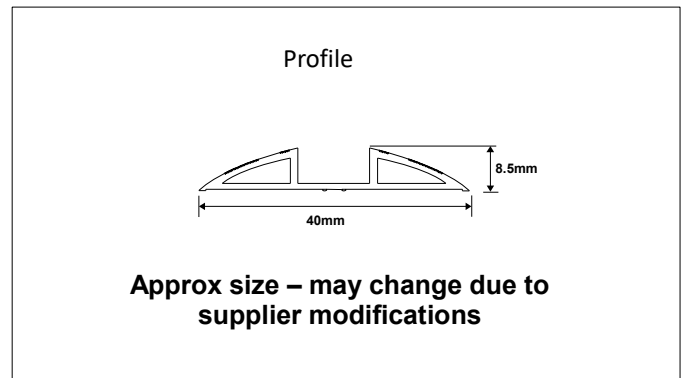
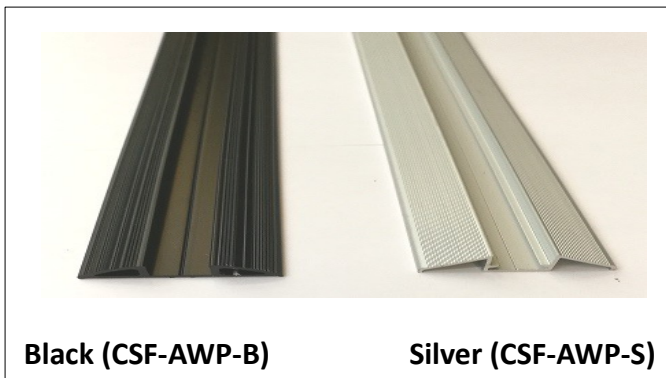
led lighting experts

## CoolStrip Flex Accessories

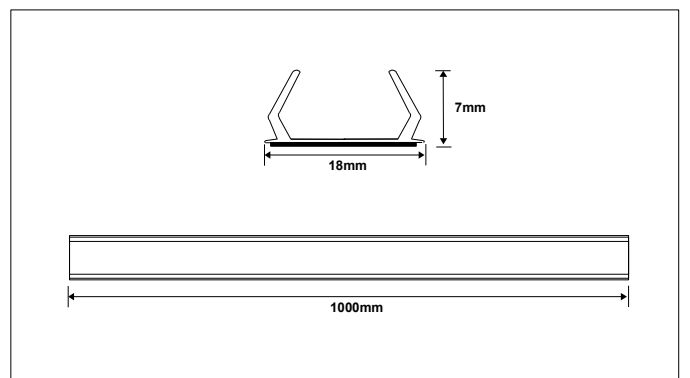
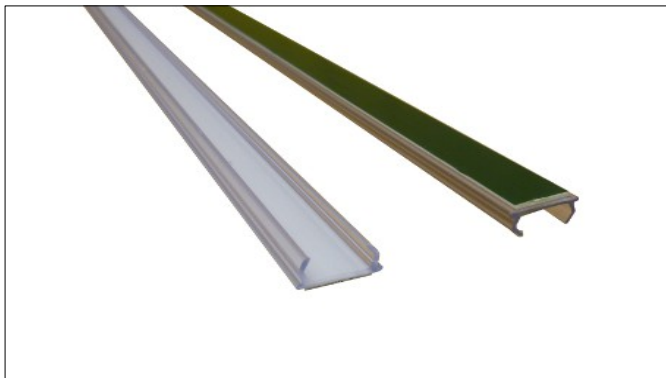
### Aluminium Stair Nosing (CSF-ASN)



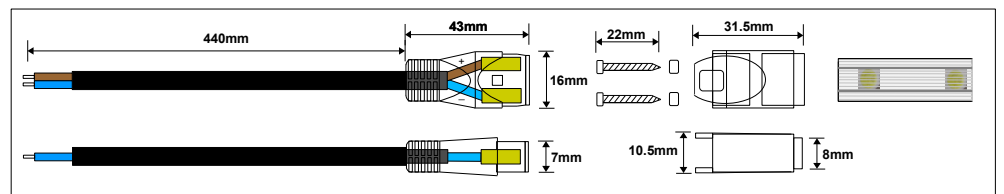
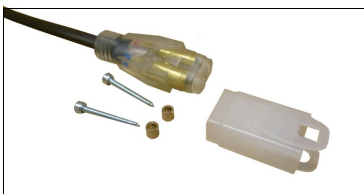
### Aluminium Walkover Profile (CSF-AWP)



### Self Adhesive Plastic Channel (CSF-PC)



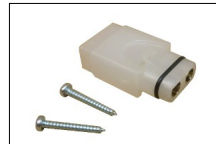
### End Termination Lead (CSF-ETL)



### Male Connector (CSF-MC)



### Female Connector (CSF-FC)



### End Cap (CSF-EC)

