

The SDL ColourPAD 44 is a constant voltage RGB controller with the options of adjustable brightness control, mode select and speed control. Using the IR remote allows a quick and easy selection of 20 preset colours and 6 modes. The SDL ColourPAD 44 controller has an excellent feature, which gives you the option to mix and create the colour shade of your choice. The SDL ColourPAD 44 can be used to drive our range of RGB LED strip in conjunction with a suitable 12Vdc power supply .



SPECIFICATION

Part No.	SDL/CP/44
Supply Voltage	12Vdc
Output	3 Channel
Output Current (per channel)	2 Amp
Size (LxWxH)	68mm x 35mm x 23mm
Remote Type/Size (LxWxH)	IR / 124mm x 56mm x 7mm
Drive Capability	5050/30/RGB 10m Max*
<i>With suitable power supply</i>	5050/60/RGB 5m Max*
	* Additional lengths can be driven using the SDL-RP316

IR REMOTE FUNCTIONS



Brightness can be increased on static colours and jump modes.



Brightness can be decreased on static colours and jump modes.



3 Colour step between red, green and blue. Speed can be adjusted.



7 Colour step between red, cyan, blue, green, white, purple, yellow. Speed can be adjusted.



3 Colour fade between red, green and blue. Speed can be adjusted.



7 Colour fade between green, orange, red, purple, blue, cyan white. Speed can be adjusted.



Cycle through all the modes. Speed can be adjusted.

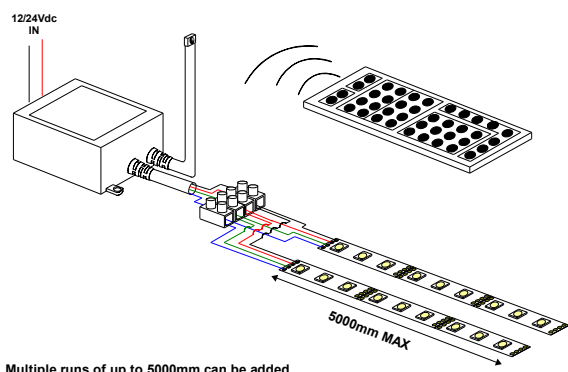
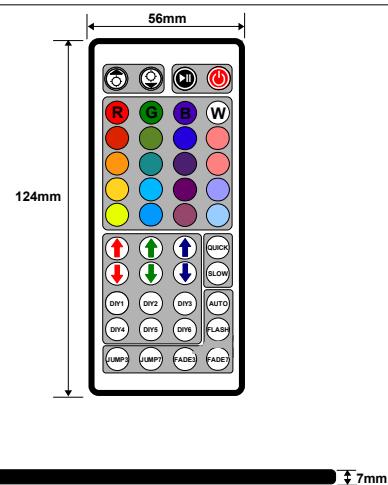
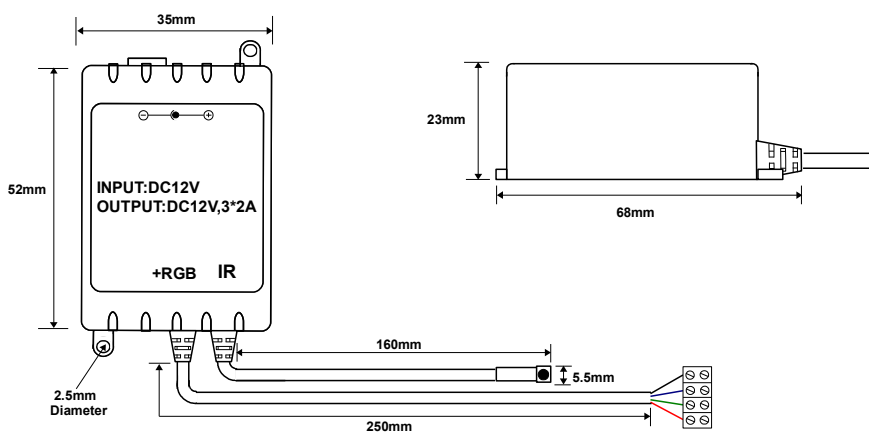


Flashing white. Speed can be adjusted.



Store any colour or shade of your choice

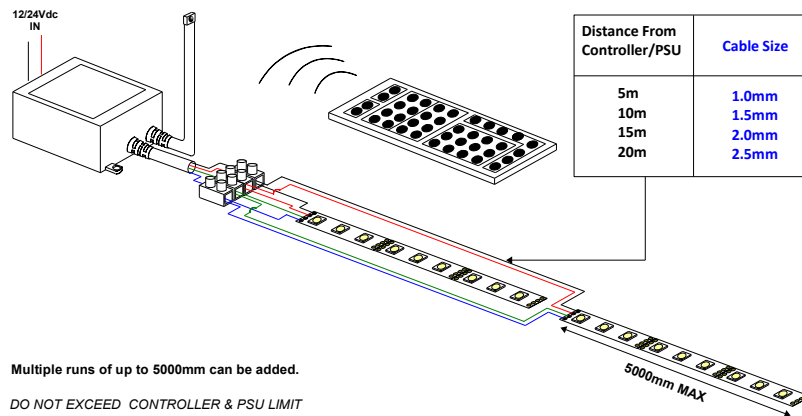
DIMENSIONS



Multiple runs of up to 5000mm can be added.

DO NOT EXCEED CONTROLLER & PSU LIMIT

SDL-RP306 Data Repeater can be used to drive further lengths and keep the LEDs in sync. Please see the SDL-RP316 technical data sheet.



Multiple runs of up to 5000mm can be added.

DO NOT EXCEED CONTROLLER & PSU LIMIT

SDL-RP306 Data Repeater can be used to drive further lengths and keep the LEDs in sync. Please see the SDL-RP316 technical data sheet.