







The SDL ColourPAD 24 is a constant voltage RGB controller with the options of adjustable brightness control and mode select. Using the IR remote allows a quick and easy selection of 16 preset colours and 4 modes. The SDL ColourPAD 24 can be used to drive our range of RGB LED strip in conjunction with a suitable 12Vdc power supply .



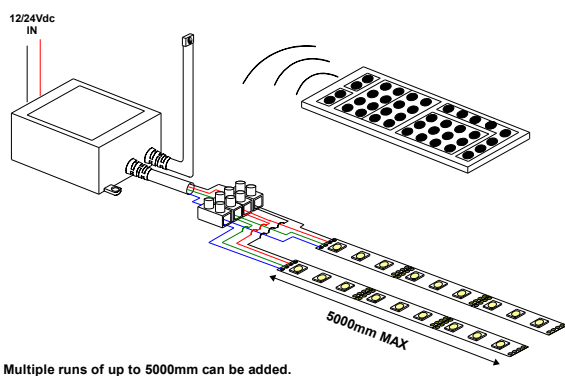
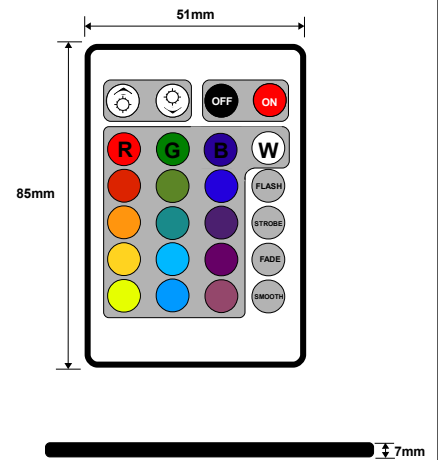
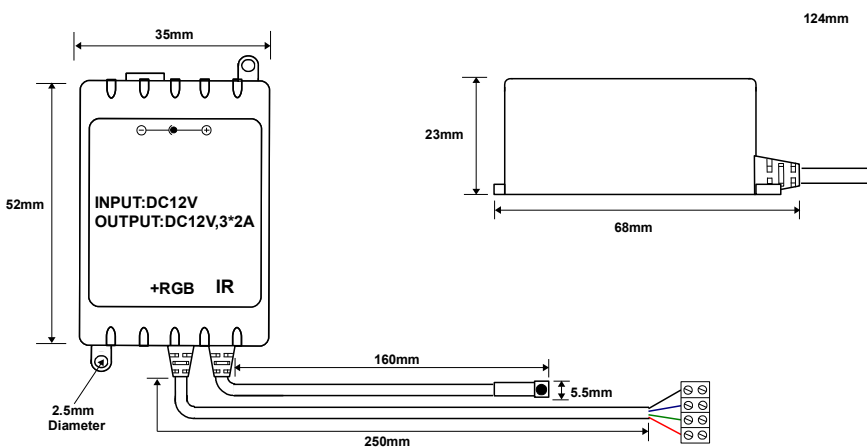
SPECIFICATION

Part No.	SDL/CP/24
Supply Voltage	12Vdc
Output	3 Channel
Output Current (per channel)	2 Amp
Size (LxWxH)	68mm x 35mm x 23mm
Remote Type/Size (LxWxH)	IR / 85mm x 51mm x 7mm
Drive Capability	5050/30/RGB 10m Max*
<i>With suitable power supply</i>	5050/60/RGB 5m Max*
	* Additional lengths can be driven using the SDL-RP316

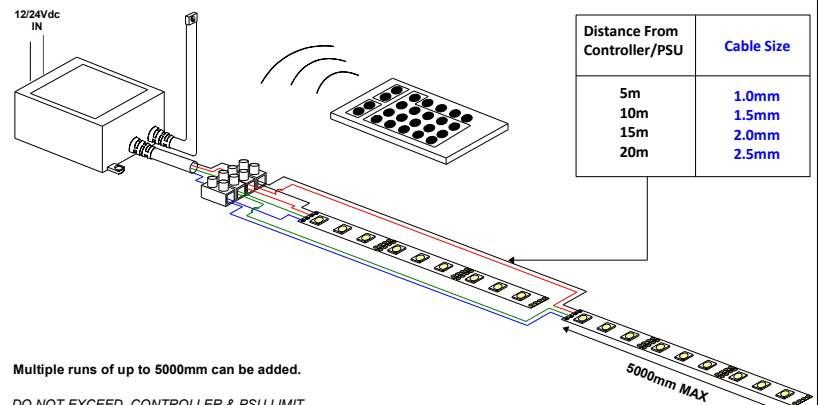
IR REMOTE FUNCTIONS

	Brightness can be increased on static colours, flash mode and smooth mode.		Brightness can be decreased on static colours, flash mode and smooth mode.
	7 Colour step: green, red, orange, Blue, cyan, purple and white.		7 Colour fade: green, orange, red, Purple, blue, cyan and white.
	Pulsing white.		3 colour change: red, green and blue

DIMENSIONS



DO NOT EXCEED CONTROLLER & PSU LIMIT
SDL-RP306 Data Repeater can be used to drive further lengths and keep the LEDs in sync. Please see the SDL-RP316 technical data sheet.



DO NOT EXCEED CONTROLLER & PSU LIMIT
SDL-RP306 Data Repeater can be used to drive further lengths and keep the LEDs in sync. Please see the SDL-RP316 technical data sheet.